



KINGSTON

Manufacturing reliable industrial valves for industry since 1908.

KSV10

Safety Relief Valve

Model KSV10

Low Profile ASME Code Section VIII
'UV' Safety Valve



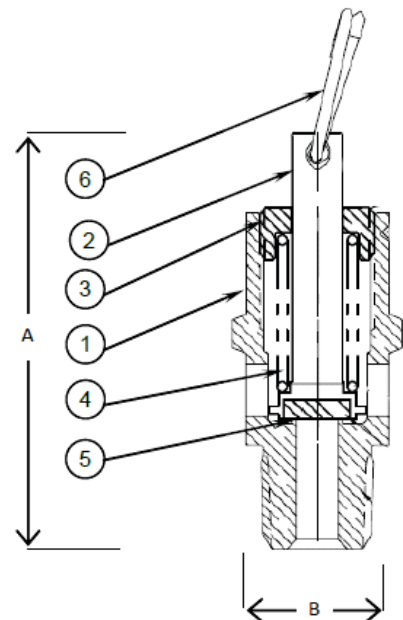
Features

- Compact, Space Saving Design for Small Air Systems
- Silicone Disc for Superior Soft Seat Performance
- Stainless Steel Spring
- National Board Capacity Certified, "NB" Stamped
- ASME B&PVC Section VIII "UV" Air/Gas Applications
- Registered in all Canadian Provinces and Territories

Model	Inlet Size	Orifice	Dimensions (inches)		Set Pressure Range (PSIG)	Approx. Ship Wt.	Max. Temp (°F)	Figure/Part No.
			Height (A)	Hex (B)				
KSV10	1/8" NPT	.156	1.53"	9/16"	50-275 PSIG	0.9 oz.	250°F	KSV10-1-000
	1/4" NPT		1.59"			1.2 oz.		KSV10-2-000

Materials

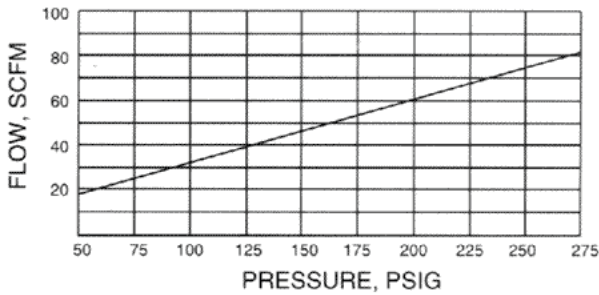
No.	Part Name	Materials
1	Body	Brass
2	Stem	Brass
3	Adj. Screw	Brass
4	Spring	Stainless Steel
5	Disc	Silicone
6	Pull Ring	Stainless Steel



Kingston Model KSV10 Safety Valve

Flow Capacity Information

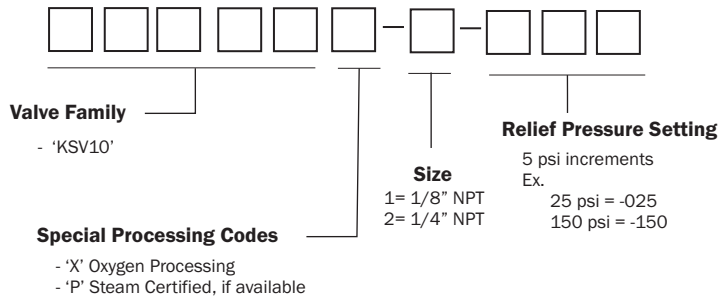
Fig. KSV10 1/8" & 1/4"



SET PRESSURE	STAMPED CFM		SET PRESSURE	STAMPED CFM	
	1/8"	1/4"		1/8"	1/4"
50	18	18	190	58	58
55	20	20	195	60	60
60	21	21	200	61	61
65	23	23	205	63	63
70	24	24	210	64	64
75	25	25	215	65	65
80	27	27	220	67	67
85	28	28	225	68	68
90	30	30	230	70	70
95	31	31	235	71	71
100	33	33	240	73	73
105	34	34	245	74	74
110	35	35	250	75	75
115	37	37	255	77	77
120	38	38	260	78	78
125	40	40	265	80	80
130	41	41	270	81	81
135	43	43	275	83	83
140	44	44			
145	45	45			
150	47	47			
155	48	48			
160	50	50			
165	51	51			
170	53	53			
175	54	54			
180	55	55			
185	57	57			

Ordering Information

Kingston Safety Valve Part Number Codes



Product Notes

All Kingston Safety Valves are manufactured under a quality control system accepted by the National Board of Boiler and Pressure Vessel Inspectors. Code valves are capacity certified by the National Board, manufactured in accordance with ASME Code, set and sealed at the factory.

Set pressure can deviate from the marked by ± 2 psig at or below 70 psig set pressure and $\pm 3\%$ psig above 70 psig. Factory standard seat tightness for hard seat valves: no audible leakage at 10% below nameplate set. It is normal for spring-operated safety valves to exhibit leakage or simmer/warn, as the system operating pressure approaches the set pressure. For hard seat valve this typically occurs at pressures at or above 90% of nameplate set pressure.

At very low set pressures (20 psi and below), the ratio of the downward spring force as compared to the upward pressure force is very small. In these cases it may be impossible to achieve seat tightness.

Soft seat valves will typically provide a higher degree of seat tightness than metal, hard seats. Factory standard seat tightness does not ensure bubble-tight seal regardless of material. Storm Manufacturing reserves all rights. Product specifications and designs are subject to change without notice.

The information contained herein by Storm Manufacturing Group (SMG) is provided in good faith and as a product guide only. Further, SMG makes no representation as to the completeness or accuracy of the information contained herein. Any person or persons using the information contained herein must exercise their own judgement and consider all local, regional, national and global safety standards in evaluating valve selection options. Final application design and integration of Kingston Products are the sole responsibility of the end user.



www.KingstonValves.com
KINGSTON