



# KINGSTON

Manufacturing reliable industrial valves for industry since 1908.

## KMBV

### Kingston Mini Ball Valve

# Model KMBV

## Kingston Mini Ball Valve



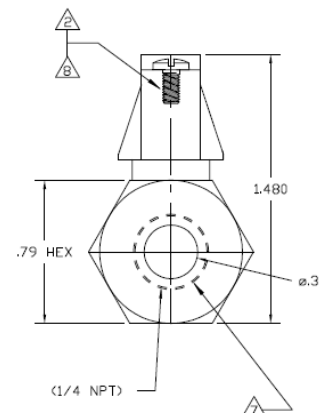
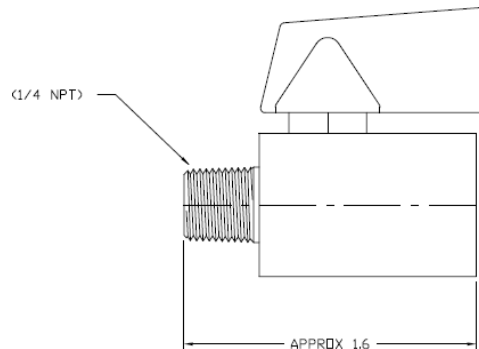
### Features

- Chrome Plated Ball
- Aluminum Handle allows the User to Open and Close the Valve
- Full Port Design
- For Use with Air, Water, Oil or Inert Gases
- Maximum Operating Pressure is 400 W.O.G.
- Maximum Temperature is 400 °F
- Female to Female NPT Fitting
- Male to Female NPT Fitting

Model	Inlet Size	Outlet Size	Dimensions (inches)		Max. Pressure (W.O.G.)	Max. Temp (°F)
			Height (A)	Width (B)		
KMBV	1/4" NPT	1/4" NPT	1-9/64"	1-39/64"	400	400 °F

### Materials

No.	Part Name	Materials
1	Body	Chrome Plated Brass
2	Seat	Teflon
3	Ball	Chrome Plated Brass
4	Stem	Brass
5	Screw	Brass
6	Handle	Black Epoxy Painted Aluminum Handle
7	"O" Rings	Viton



# Kingston Model KMBV Ball Valve

## Ordering Information

### Kingston Ball Valves Part Number Codes



**Valve Model**

- KMBVF (female x male)
- KMBVM (male x female)

**Size**

2= 1/4" NPT

**Example:**

KMBVM-2

## Product Notes

Storm Manufacturing reserves all rights. Product specifications and designs are subject to change without notice.

The information contained herein by Storm Manufacturing Group (SMG) is provided in good faith and as a product guide only. Further, SMG makes no representation as to the completeness or accuracy of the information contained herein. Any person or persons using the information contained herein must exercise their own judgement and consider all local, regional, national and global safety standards in evaluating valve selection options. Final application design and integration of Kingston Products are the sole responsibility of the end user.



[www.KingstonValves.com](http://www.KingstonValves.com)  
**KINGSTON**