



# KINGSTON

Manufacturing reliable industrial valves for industry since 1908.

## KBV

### Kingston Ball Valve

# Model KBV

## Kingston Ball Valve

### Features

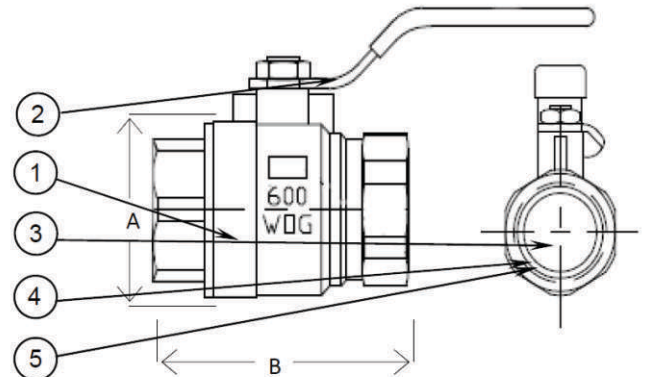


- Full Port Design
- For Use with Air, Water, Oil or Inert Gases (W.O.G.)
- Female to Female NPT Fitting
- Male to Female NPT Fitting (1/2", 3/4", 1"),
- Available Sizes: 1/4", 1/2", 3/4", 1", 1-1/4", 1-1/2", 2" NPT
- Locking Lever on KBVSS only

Model	Inlet Size	Dimensions (inches)		Max. Pressure (W.O.G.)	Max. Temp (°F)
		Height (A)	Length (B)		
KBV	1/4" NPT	1-5/8"	1-3/4"	600 (Brass Option) 1000 (SS Option)	300 °F
	3/8" NPT				
	1/2" NPT	1-55/64"	2-17/32"		
	3/4" NPT	2-1/64"	2-21/64"		
	1" NPT	2-29/64"	2-51/64"		
	1-1/4" NPT	3-1/64"	3-11/32"		
	1-1/2" NPT	3-17/32"	3-21/32"		
	2" NPT	4-3/8"	4-21/64"		

### Materials

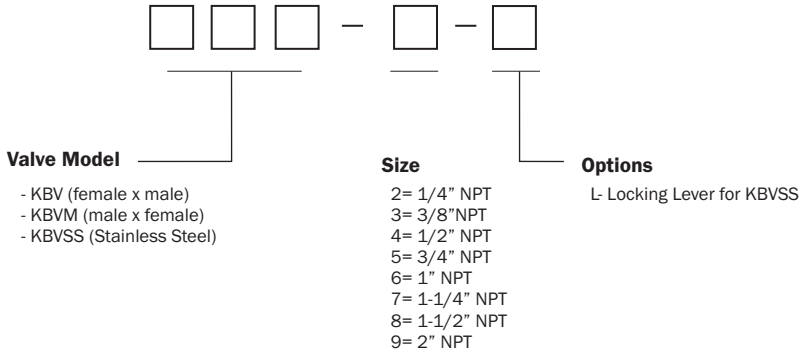
No.	Part Name	Materials (KBV)	Materials (KBVSS)
1	Body	Brass	Stainless Steel
2	Handle	Carbon Steel	Stainless Steel
3	Ball	Chrome Plated Brass	Stainless Steel
4	Seat	Teflon	Teflon
5	Seal	Teflon	Teflon
6	Lever	N/A	Stainless Steel



# Kingston Model KBV Ball Valve

## Ordering Information

### Kingston Ball Valves Part Number Codes



## Product Notes

Storm Manufacturing reserves all rights. Product specifications and designs are subject to change without notice.

The information contained herein by Storm Manufacturing Group (SMG) is provided in good faith and as a product guide only. Further, SMG makes no representation as to the completeness or accuracy of the information contained herein. Any person or persons using the information contained herein must exercise their own judgement and consider all local, regional, national and global safety standards in evaluating valve selection options. Final application design and integration of Kingston Products are the sole responsibility of the end user.



[www.KingstonValves.com](http://www.KingstonValves.com)  
**KINGSTON**