



KINGSTON

Manufacturing reliable industrial valves for industry since 1908.

620

Control Valve

Model 620

Kingston Automatic Drain Valve



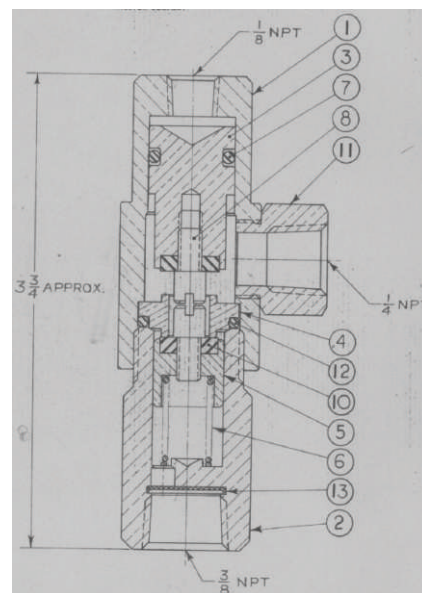
Features

- Designed For Use on All Compressors with an Unloader Port
- Complete Drainage is Assured by Double Action of the Valve (which opens when the compressor starts and stops)
- Long, Trouble-Free Service is Provided Through
- Simplicity of Design and the Use of Rust-Resisting Materials.
- Stainless Steel or Music Wire Spring Depending on Set Pressure

Model	Inlet Size	Outlet Size	Dimensions (inches)			Pressure Range (PSI)	Min. Temp (°F)	Max. Temp (°F)
			Height (A)	Thickness (B)	Width (C)			
620	3/8" NPT	1/4" NPT	3-3/4"	1-1/8"	1-21/32"	30-300	-40°F	225°F

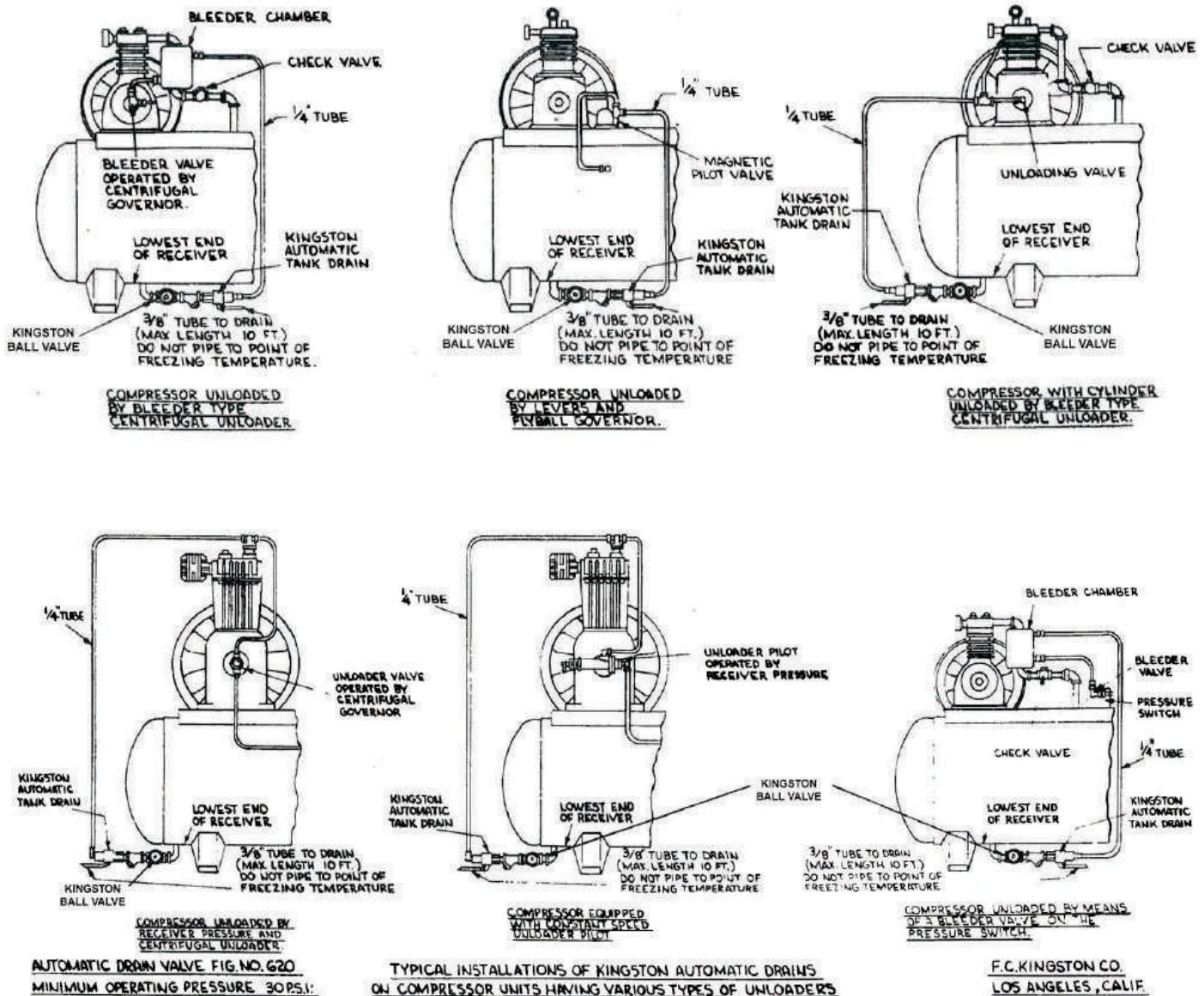
Materials

No.	Part Name	Materials
1	Plunger Body	Brass
2	Valve Body	Brass
3	Plunger	Brass
4	Valve Seat	Brass
5	Valve	Brass
6	Spring	Stainless Steel
7	"O" Ring	Buna "N"
8	Screw	Brass
10	Disc	Buna "N"
11	Side Outlet	Brass
12	"O" Ring	Buna "N"
13	Screen	Brass Wire



Kingston Model 620 Automatic Drain Valve

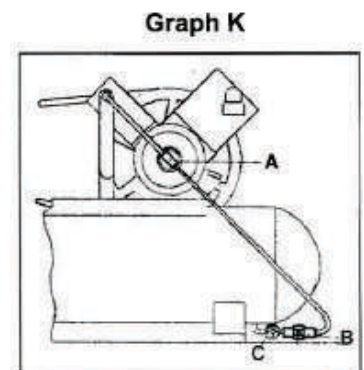
Installation Data



Installation Instructions

It is recommended that the tank drain be opened to blow off existing water, oil and scale before the Automatic Drain Valve is installed.

1. Connect 3/8" drain valve inlet (1) to the manual drain valve on the bottom of the tank. Use pipe fittings to adapt.
2. The 1/8" pilot port (2) must be connected to a point on the compressor package which will provide a pressure/no pressure cycle.



Kingston Model 620 Automatic Drain Valve

Installation Instructions (continued)

Options: compressor discharge line between the compressor head and the check valve; Check valve bleeder port; Unloader control line; 3-Way valve on the pressure switch; Suction valve unloader line.

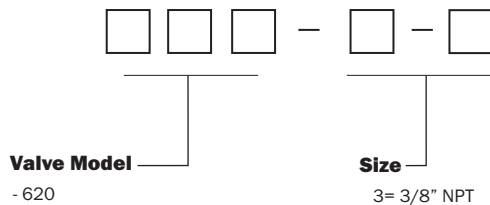
3. The water and oil is expelled through 1/4" side outlet port. (3). Some local regulations require filtration of the effluent prior to disposal. We recommend the use of 3/8" copper tubing to carry the effluent to a collection point. Maximum length, 10'.

4. Additional steps may be necessary when applied to air compressors smaller than 5HP starting with 0 pressure in the tank. Please contact factory for details.

Note: State of California code requires a manual "bypass" drain valve be installed in conjunction with automatic drain valves. The Kingston models KBV or KMBV can satisfy this requirement. Re: Title 8, section 465(a) unfired vessel safety orders.

Ordering Information

Kingston Air Compressor Valves Part Number Codes



Product Notes

Storm Manufacturing reserves all rights. Product specifications and designs are subject to change without notice.

The information contained herein by Storm Manufacturing Group (SMG) is provided in good faith and as a product guide only. Further, SMG makes no representation as to the completeness or accuracy of the information contained herein. Any person or persons using the information contained herein must exercise their own judgement and consider all local, regional, national and global safety standards in evaluating valve selection options. Final application design and integration of Kingston Products are the sole responsibility of the end user.



www.KingstonValves.com
KINGSTON

Copyright 2016 © Storm Manufacturing Group. All rights reserved. Product designs and specifications subject to change without notice. 03.620.16.r1