



KINGSTON

Manufacturing reliable industrial valves for industry since 1908.

331-2 Control Valve

Model 331-2

Air Powered Valve Actuator



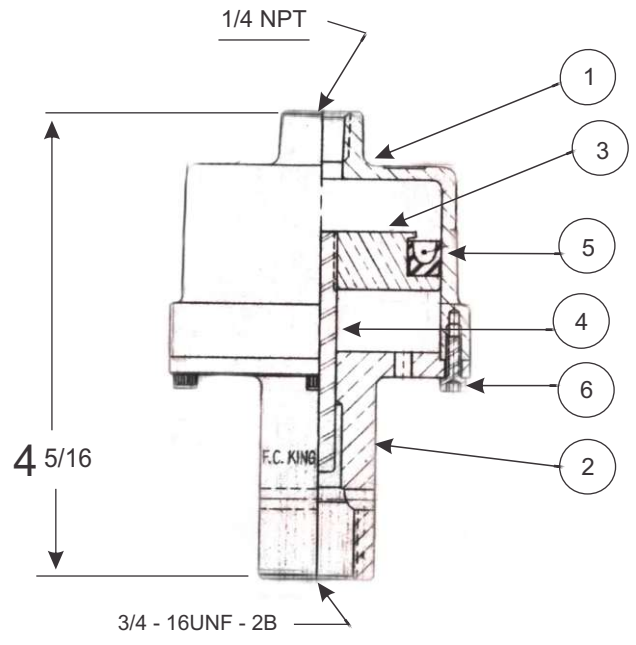
Features

- Designed For Use with Selected Kingston Valves Where Remote Control is Desirable.
- The Actuator/Valve Combination is Well Suited for Use in Areas Where Explosive Gases May Be Present
- Stainless Steel or Music Wire Spring Depending on Set Pressure
- Actuator is Used with the Kingston Models 305A, 305B, and 425, 1/2" through 1-1/4" Sizes. Mounting Thread, 3/4" to 16
- Maximum Actuator Pressure is 100 PSIG
- Test in National Board Approved Quality Assurance Process

Model	Inlet Size	Outlet Size	Dimensions (inches)		Pressure Range (PSIG)	Approx. Ship Wt.	Max. Temp (°F)
			Height (A)	Width (B)			
331-2	1/4" NPT	3/4" NPT	4-5/16"	2-13/16"	10-100	2 lb. 3 oz.	225° F

Materials

No.	Part Name	Materials
1	Plunger Body	Brass
2	Stem Guide	Brass
3	Plunger	Brass
4	Stem (plunger)	Stainless Steel
5	U-Cup	Buna "N"
6	Screw	Stainless Steel



Kingston Model 331-2 Air Powered Valve Actuator

Ordering Information

Kingston Air Actuators (329/331) Part Number Codes



Actuator Model
- 331
For Actuator only
use Fig. 331-2

Valve Model
- 305A
- 305B

Size
4 = 1/2" NPT
5 = 3/4" NPT
6 = 1" NPT
7 = 1-1/4" NPT

Example:
331/350A-6

Note: For Actuator only, use Figure number above.

Product Notes

Storm Manufacturing reserves all rights. Product specifications and designs are subject to change without notice.

The information contained herein by Storm Manufacturing Group (SMG) is provided in good faith and as a product guide only. Further, SMG makes no representation as to the completeness or accuracy of the information contained herein. Any person or persons using the information contained herein must exercise their own judgement and consider all local, regional, national and global safety standards in evaluating valve selection options. Final application design and integration of Kingston Products are the sole responsibility of the end user.



www.KingstonValves.com
KINGSTON