



KINGSTON

Manufacturing reliable industrial valves for industry since 1908.

329

Control Valve

Model 329

Kingston Air Powered Valve Actuator



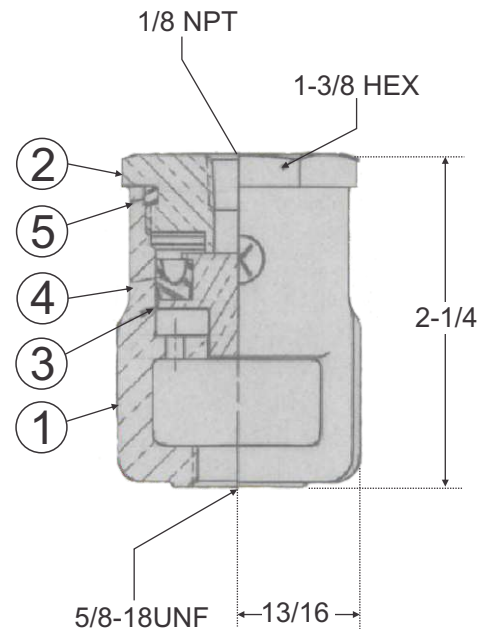
Features

- Designed for Use with Selected Kingston Valves where Remote Control is Desirable.
- Cast Red Brass Body
- Well Suited for Use in Areas Where Explosive Gases May Be Present
- Actuator is Used with the Kingston Model 305A and 305B in 1/4" and 3/8" NPT.
- Maximum Recommended Operation Temperature is 250° F
- Maximum Pressure to Actuator is 125 PSIG

Model	Inlet Size	Dimensions (inches)			Pressure Range (PSIG)	Approx. Shipping Wt.	Max. Temp (°F)
		Height (A)	Thickness (B)	Width (C)			
329	1/8" NPT	2-1/4"	1-5/8"	1-5/8"	10-125	10 oz.	250° F

Materials

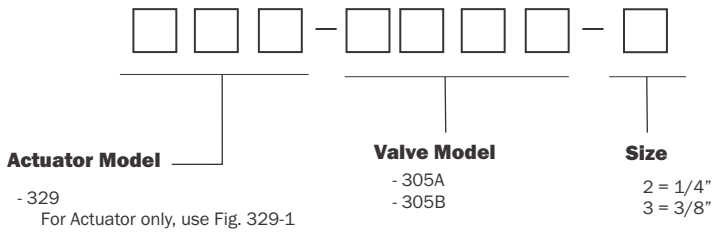
No.	Part Name	Materials
1	Body	Brass
2	Cap	Brass
3	Plunger	Brass
4	U-Cup	Buna "N"
5	"O" Ring	Buna "N"



Kingston Model 329 Air Powered Valve Actuator

Ordering Information

Kingston Air Actuator Part Number Codes



Note: For Actuator only, use Figure number above.

Product Notes

Storm Manufacturing reserves all rights. Product specifications and designs are subject to change without notice.

The information contained herein by Storm Manufacturing Group (SMG) is provided in good faith and as a product guide only. Further, SMG makes no representation as to the completeness or accuracy of the information contained herein. Any person or persons using the information contained herein must exercise their own judgement and consider all local, regional, national and global safety standards in evaluating valve selection options. Final application design and integration of Kingston Products are the sole responsibility of the end user.



www.KingstonValves.com
KINGSTON

Copyright 2016 © Storm Manufacturing Group. All rights reserved. Product designs and specifications subject to change without notice. 03.329.16.r1