



KINGSTON

Manufacturing reliable industrial valves for industry since 1908.

305B Control Valve

Model 305B

Kingston Quick Opening Industrial Control Valve



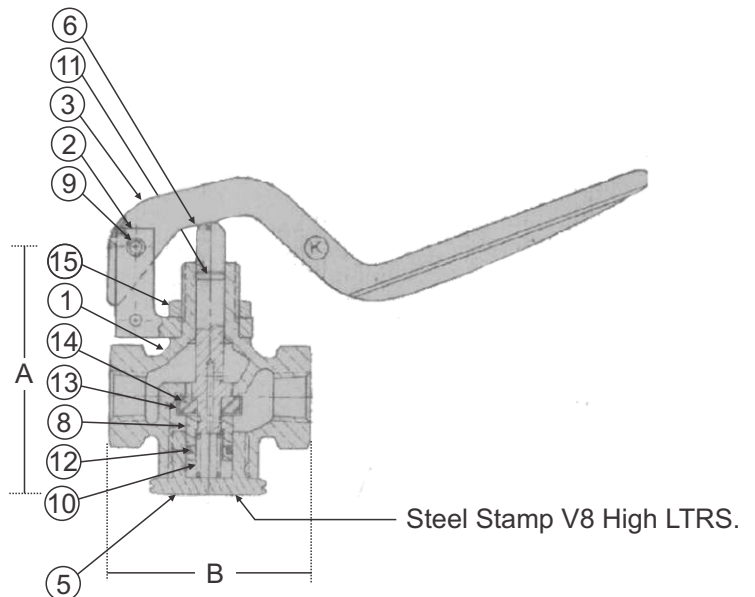
Features

- For Air and Liquid Service
- Widely Used for Agricultural Spraying, Car Wash Systems, High Pressure Washers, Liquid Transfer, Air and Liquid Control Application
- Best Selection when Actuator Air Pressure is Low
- Available in 1/4" through 1-1/4" NPT
- Maximum Working Pressure is 400 WOG
- Alternative Seals Available
- Alternative Disc, Lever and Cap Options May Be Available. Please Call for Details

| Model | Inlet Size | Outlet Size | Dimensions (inches) | | Pressure Range (PSIG) | Approx. Shipping Wt. | Max. Temp (°F) |
|-------|------------|-------------|---------------------|--------------|-----------------------|----------------------|----------------|
| | | | Height (A) | Width (B) | | | |
| 305B | 1/4" NPT | 1/4" NPT | 2-21/32" | 2-3/16" | 10-400 | 11 oz. | 200°F |
| | 3/8" NPT | 3/8" NPT | 1-19/32" | | | 14 oz. | |
| | 1/2" NPT | 1/2" NPT | 3-7/8" | 1 lb. | | | |
| | 3/4" NPT | 3/4" NPT | 4-1/4" | 10 oz. | | | |
| | 1" NPT | 1" NPT | 4-13/16" | 1 lb. 10 oz. | | | |
| | 1-1/4" NPT | 1-1/4" NPT | 5-1/8" | 1 lb. 6 oz. | | | |
| | | | 3" | 3-1/8" | 1 lb. 14 oz. | | |
| | | | 4" | | 2 lb. 6 oz. | | |
| | | | | | 3 lb. 15 oz. | | |
| | | | | | 4 lb. 4 oz. | | |
| | | | | | 3 lb. 11 oz. | | |
| | | | | | 4 lb. 4 oz. | | |

Materials

| No. | Part Name | Materials |
|-----|--------------------|------------------|
| 1 | Body | Brass |
| 2 | Bracket | Infiltrated Iron |
| 3 | Lever (Squeeze) | Infiltrated Iron |
| 4 | Lever (Pull) | Brass |
| 5 | Cap | Brass |
| 6 | Stem | Brass |
| 8 | Plunger | Brass |
| 9 | Roll Pin | Carbon Steel |
| 10 | Spring | Stainless Steel |
| 11 | "O" Ring (Stem) | Buna "N" |
| 12 | "O" Ring (Plunger) | Buna "N" |
| 13 | Cage | Brass |
| 14 | Disc (Cage) | Buna "N" |
| 15 | Lock Nut | Brass |



Kingston Model 305B Quick Opening Industrial Control Valve

Flow Capacity Information

Fig. 305B - 3/4"

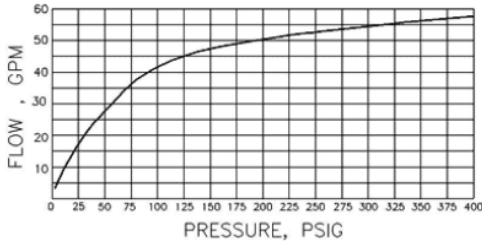


Fig. 305B - 1/4" & 3/8"

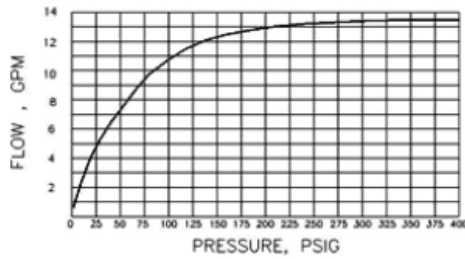


Fig. 305B - 1/2"

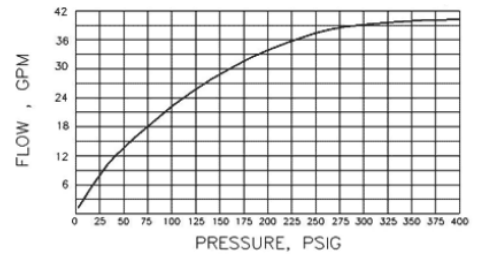
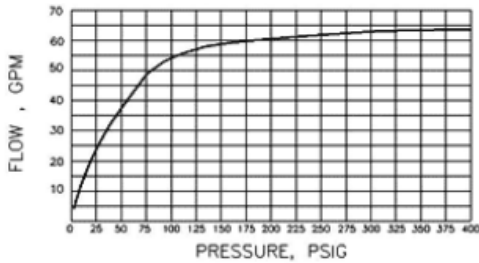


Fig. 305B - 1" & 1-1/4"



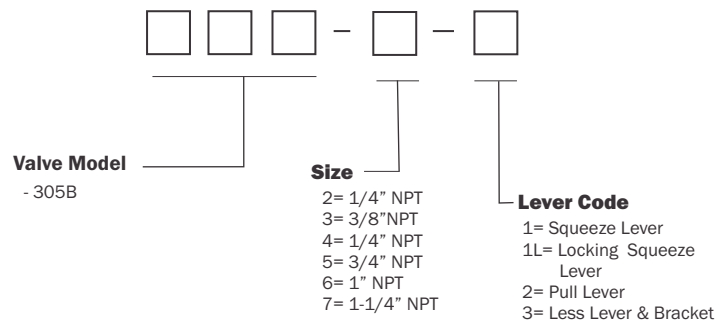
Product Notes

Storm Manufacturing reserves all rights. Product specifications and designs are subject to change without notice.

The information contained herein by Storm Manufacturing Group (SMG) is provided in good faith and as a product guide only. Further, SMG makes no representation as to the completeness or accuracy of the information contained herein. Any person or persons using the information contained herein must exercise their own judgement and consider all local, regional, nation and global safety standards in evaluating valve selection options. Final application design and integration of Kingston Products are the sole responsibility of the end user.

Ordering Information

Kingston Air Actuators (305B) Part Number Codes



www.KingstonValves.com
KINGSTON