



# KINGSTON

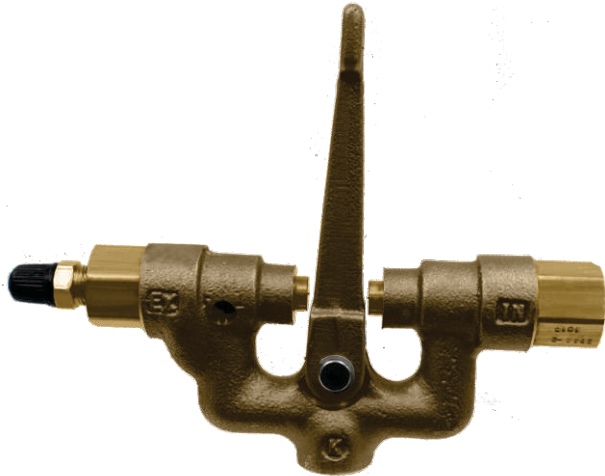
Manufacturing reliable industrial valves for industry since 1908.

# 294

## Control Valve

## Model 294

Kingston High Flow Side Port Air Control Valve



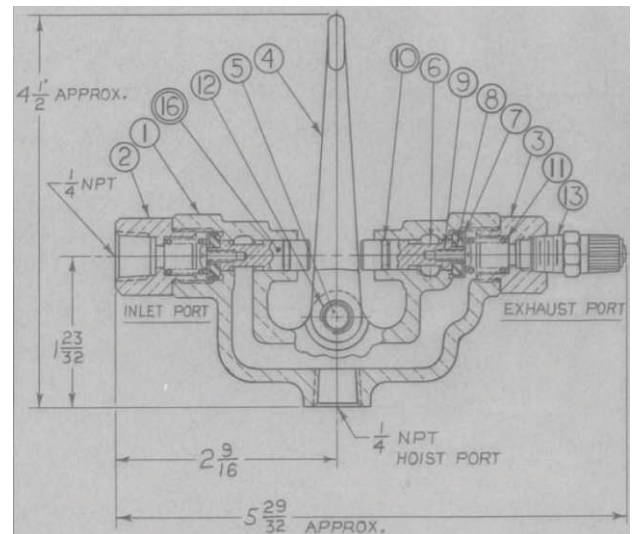
### Features

- Durable Brass Construction with Buna-N Seals
- Inlet Stem is Designed to Provide Restricted Flow on Initial Opening with Full Flow Achieved when Fully Opened
- Designed for a Higher Flow Capacity, Providing Quicker Cylinder Operation
- Standard Valve includes a Tank Valve
- "Two-step" Valve Design for Operating Single Acting Cylinders

Model	Dimensions (inches)		Pressure Range (PSIG)	Approx. Shipping Wt.
	Height (A)	Width (B)		
294	4-1/2"	5-29/32"	10-150	1 lb.

### Materials

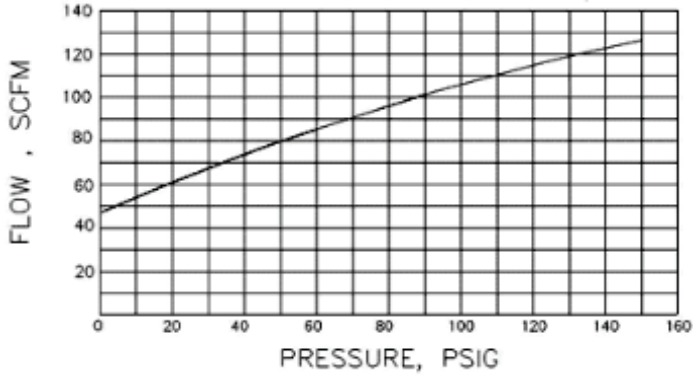
No.	Part Name	Materials
1	Body	Brass
2	Cap (Inlet)	Brass
3	Cap (Exhaust)	Brass
4	Lever	Brass
5	Pin (Lever)	Leaded Steel
6	Stem	Brass
7	Cage (Disc)	Brass
8	Disc	Buna "N"
9	Screw (Disc)	Stainless Steel
10	"O" Ring	Buna "N"
11	Spring	Stainless Steel
12	Retaining Ring	Spring Steel
13	Tank Valve	



# Kingston Model 294 Control Valve

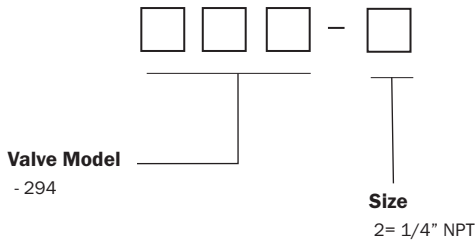
## Flow Capacity Information

Fig. 294 - 1/4"



## Ordering Information

### Kingston Control Valves Part Number Codes



**Example:**  
292-2

## Product Notes

Storm Manufacturing reserves all rights. Product specifications and designs are subject to change without notice.

The information contained herein by Storm Manufacturing Group (SMG) is provided in good faith and as a product guide only. Further, SMG makes no representation as to the completeness or accuracy of the information contained herein. Any person or persons using the information contained herein must exercise their own judgement and consider all local, regional, national and global safety standards in evaluating valve selection options. Final application design and integration of Kingston Products are the sole responsibility of the end user.



[www.KingstonValves.com](http://www.KingstonValves.com)  
**KINGSTON**