



KINGSTON

Manufacturing reliable industrial valves for industry since 1908.

258

Control Valve

Model 258

Quick Opening Industrial Flow Control Valve



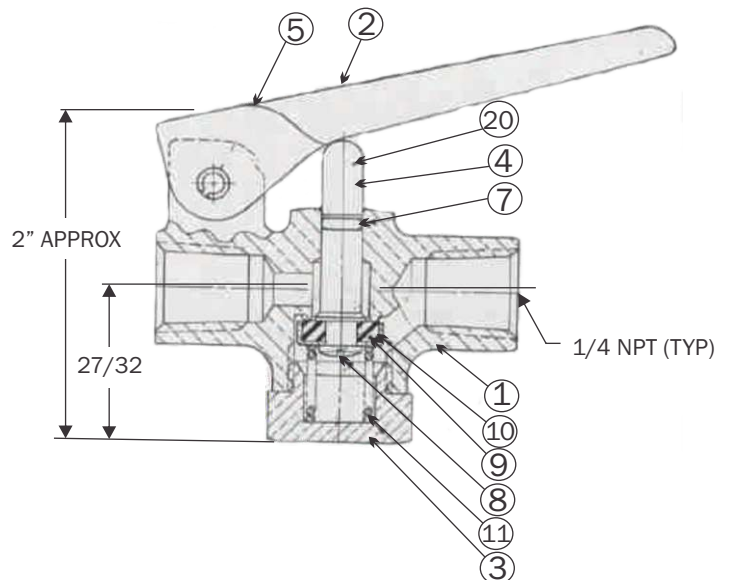
Features

- Designed for Liquid, Compressed Air, or Gas Applications
- Often Used for Wheel or Tire Cleaning Solutions in Car Wash Systems
- Not Intended to Be Used as “Air Blow” or “Cleaning Guns”
- Electroless Nickel Plated for Long Wear in Harsh Solutions
- Maximum Operating Pressure is 150 PSI
- Alternative Seals Available
- Alternative Disc, Seal, Lever and Cap Options May Be Available. Please Call for Details

Model	Inlet Size	Outlet Size	Dimensions (inches)			Approx. Shipping Wt.	Min. Temp (°F)	Max. Temp (°F)
			Height (A)	Thickness (B)	Width (C)			
258	1/4" NPT	1/4" NPT	2" (Flat)	13/16"	2-13/64"	5 oz.	-40	225°F
			2-9/16" (with Stud)			7 oz.		

Materials

No.	Part Name	Materials
1	Body	Brass
2	Lever	Brass
3	Cap	Brass
4	Stem	Brass
5	Roll Pin	Carbon Steel
6	Nut	Steel
7	Packing String	Teflon
8	Screw (Disc)	Brass
9	Disc	EP
10	Cage	Brass
11	Spring	Stainless Steel
13	Packing Gland	Brass
20	Stem Assembly, Item 4,8,9 & 10	



Kingston Model 258 Quick Opening Industrial Flow Control Valve

Flow Capacity Information

Fig. 258 - 1/4"

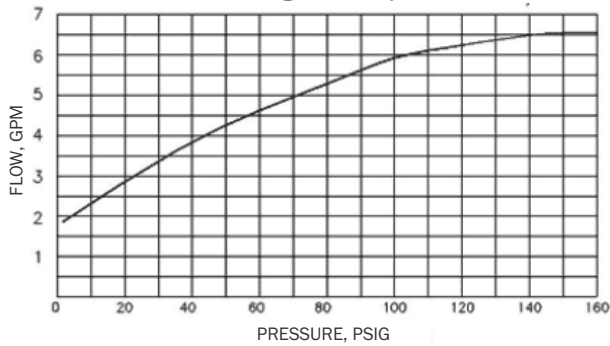
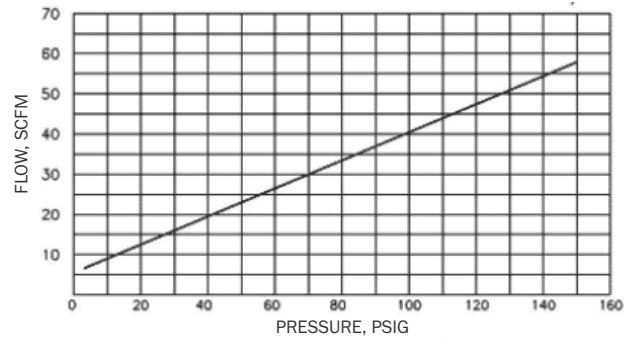
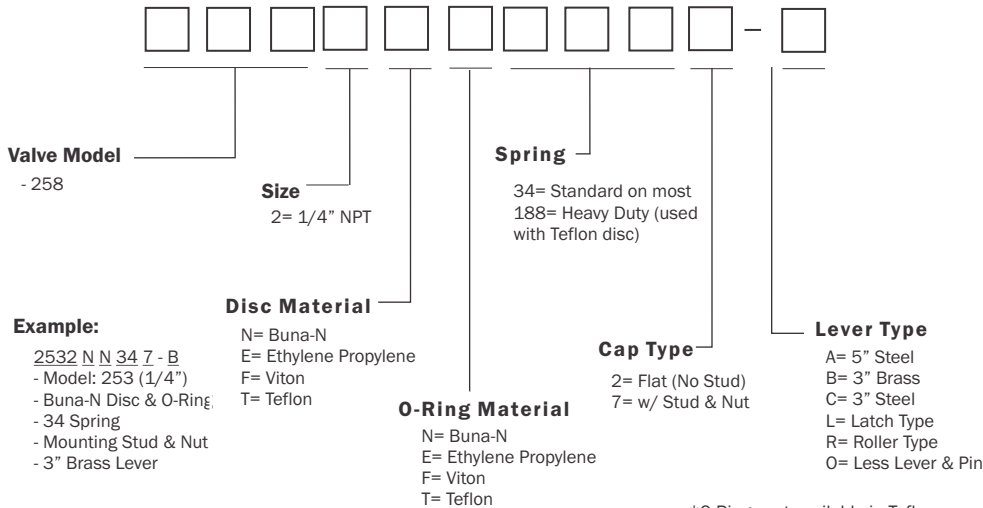


Fig. 258 - 1/4"



Ordering Information

Kingston Control Valves Part Number Codes



Product Notes

Storm Manufacturing reserves all rights. Product specifications and designs are subject to change without notice.

The information contained herein by Storm Manufacturing Group (SMG) is provided in good faith and as a product guide only. Further, SMG makes no representation as to the completeness or accuracy of the information contained herein. Any person or persons using the information contained herein must exercise their own judgement and consider all local, regional, national and global safety standards in evaluating valve selection options. Final application design and integration of Kingston Products are the sole responsibility of the end user.



www.KingstonValves.com
KINGSTON