



KINGSTON

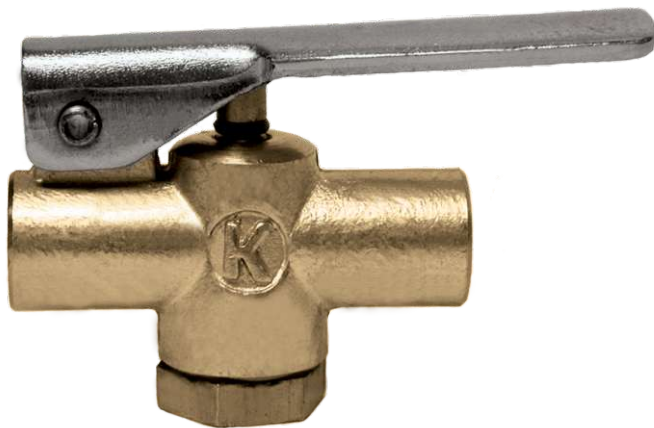
Manufacturing reliable industrial valves for industry since 1908.

253

Control Valve

Model 253

Quick Opening Industrial Flow Control Valve



Features

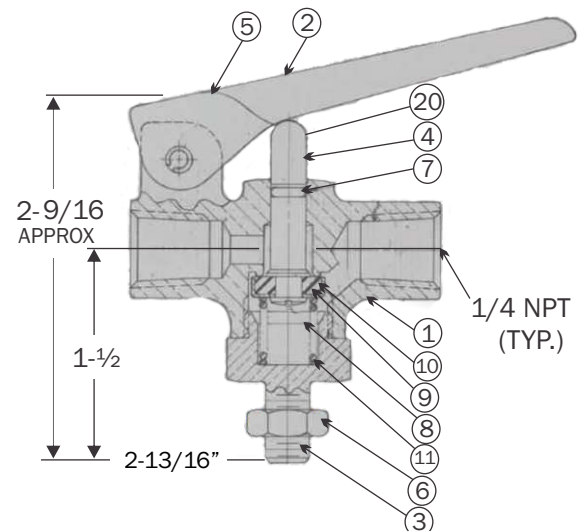
- Designed for Liquid, Compressed Air, or Gas Applications
- Developed for Use in Car Wash Systems and Other Operations Requiring a Fixed Position Control Valve
- Often Used for Wheel or Tire Cleaning Solutions in Car Wash Systems
- Available with Mounting Stud and Nut Option
- Valve Stem Contains Electroless Nickel Plated for Long Wear in Harsh Solutions
- Available with 3" or 5" Brass Steel Lever Options
- Alternative Discs and Seals May Be Available. Please Call for Details

Model	Inlet Size	Outlet Size	Dimensions (Inches)		Approx. Shipping Wt.	Min. Temp (°F)	Max. Temp (°F)
			Height (A)	Width (B)			
253	1/4" NPT	1/4" NPT	1-1/2"	2-13/16"	5 - 7 oz.	-40°F	225°F
			2-9/16" (with Stud & Nut)				

*Note: Not Intended to be used with "air blow" or "cleaning guns"

Materials

No.	Part Name	Materials
1	Body	Brass
2	Lever	Brass
3	Cap	Brass
4	Stem	Brass
5	Roll Pin	Carbon Steel
6	Locknut	Carbon Steel
7	"O" Ring	Buna "N"
8	Screw	Brass
9	Disc	Buna "N"
10	Cage	Brass
11	Spring	Stainless Steel



Kingston Model 253 Quick Opening Industrial Flow Control Valve

Flow Capacity Information

Fig. 253 - 1/4"

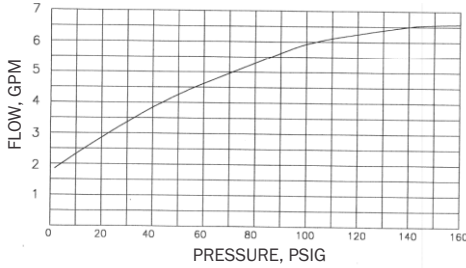
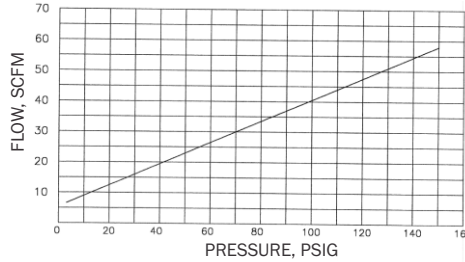
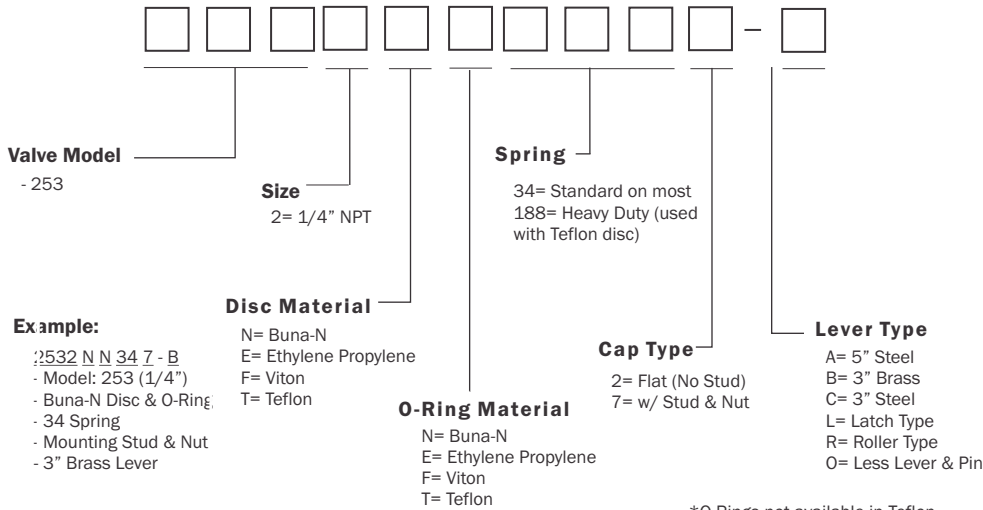


Fig. 253 - 1/4"



Ordering Information

Kingston Control Valves Part Number Codes



Product Notes

Storm Manufacturing reserves all rights. Product specifications and designs are subject to change without notice.

The information contained herein by Storm Manufacturing Group (SMG) is provided in good faith and as a product guide only. Further, SMG makes no representation as to the completeness or accuracy of the information contained herein. Any person or persons using the information contained herein must exercise their own judgement and consider all local, regional, national and global safety standards in evaluating valve selection options. Final application design and integration of Kingston Products are the sole responsibility of the end user.



www.KingstonValves.com
KINGSTON