



KINGSTON

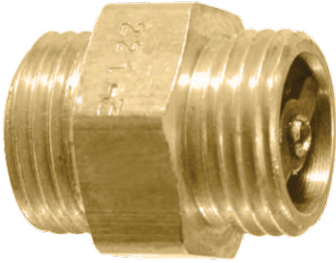
Manufacturing reliable industrial valves for industry since 1908.

221

Check Valve

Model 221

Kingston Horizontal Check Valve



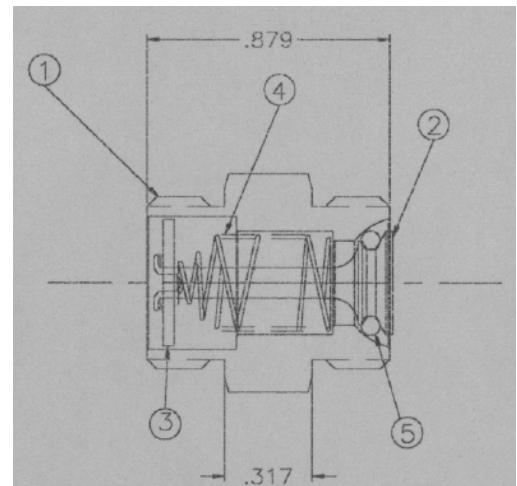
Features

- Cast Red Body
- Designed for Lubricated or Non-Lubricated Air Compressors
- Designed Specifically for Use in Vertical Pipe Lines
- Precision Machined with Soft Seat
- Maximum Temperature is 200° F

Model	Inlet Size	Outlet Size	Height	Max. Temp (°F)
221	3/8" NPT	3/8" NPT	7/8"	200° F

Materials

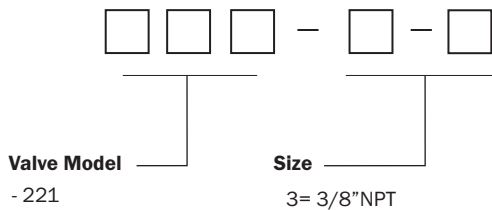
No.	Part Name	Materials
1	Body	Brass
2	Stem	Brass
3	Guide	Brass
4	Spring	Stainless Steel
5	O-Ring	Buna-N



Kingston Model 221 Kingston Horizontal Check Valve

Ordering Information

Kingston Horizontal Check Valves Part Number Codes



Product Notes

Storm Manufacturing Group, Inc. reserves all rights. Product specifications and designs are subject to change without notice.

The information contained herein by Storm Manufacturing Group (SMG) is provided in good faith and as a product guide only. Further, SMG makes no representation as to the completeness or accuracy of the information contained herein. Any person or persons using the information contained herein must exercise their own judgement and consider all local, regional, national and global safety standards in evaluating valve selection options. Final application design and integration of Kingston Products are the sole responsibility of the end user.



www.KingstonValves.com
KINGSTON

Copyright 2014 © Storm Manufacturing Group. All rights reserved. Product designs and specifications subject to change without notice. 02.221.16.r1