



KINGSTON

Manufacturing reliable industrial valves for industry since 1908.

201

Check Valve

Model 201

Kingston Horizontal Anti-Hammering Check Valve



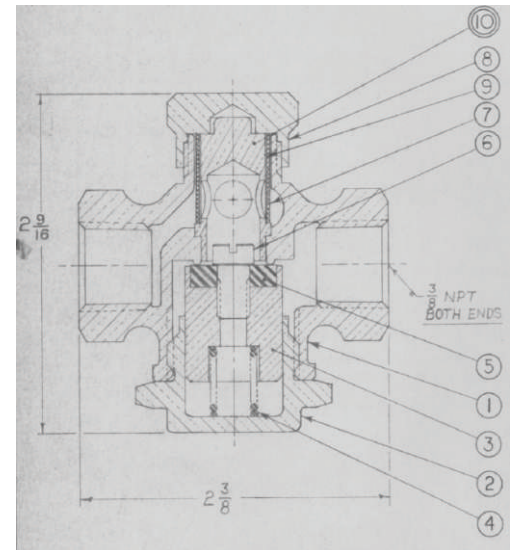
Features

- Precision Machined with a Spring-Loaded “Dash-Pot” Piston”
- Dash-Pot Piston Design Reduces the Hammering Effect Cause by Exhaust Pulsation Found in Piston-Type Air Compressors
- Features a Debris Screen to Trap Particulate Matter
- Teflon Disc Option Available
- Maximum Operating Pressure is 400 psi

Model	Inlet Size	Outlet Size	Dimensions (Inches)		Min. Temp (°F)	Max. Temp (°F)
			Height (A)	Width (B)		
201	3/8" NPT	3/8" NPT	2-9/16"	2-3/8"	40°F	225°F

Materials

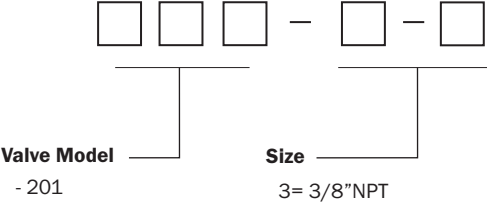
No.	Part Name	Materials
1	Body	Brass
2	Cap	Brass
3	Plunger	Brass
4	Spring	Stainless Steel
5	Disc	Buna "N"
6	Plunger Screw	Brass
7	Screen	Brass
8	Cap (Screen Cage)	Brass
9	Screen Cage	Brass



Kingston Model 201 Horizontal Anti-Hammering Check Valve

Ordering Information

Kingston Check Valves Part Number Codes



Product Notes

Storm Manufacturing Group, Inc. reserves all rights. Product specifications and designs are subject to change without notice.

The information contained herein by Storm Manufacturing Group (SMG) is provided in good faith and as a product guide only. Further, SMG makes no representation as to the completeness or accuracy of the information contained herein. Any person or persons using the information contained herein must exercise their own judgement and consider all local, regional, national and global safety standards in evaluating valve selection options. Final application design and integration of Kingston Products are the sole responsibility of the end user.



www.KingstonValves.com
KINGSTON