



# KINGSTON

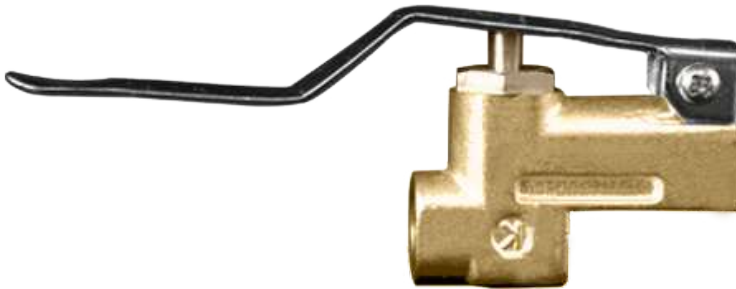
Manufacturing reliable industrial valves for industry since 1908.

# 167-1-1

## Control Valve

## Model 167-1-1

Kingston Upholstery Flow Control Valve



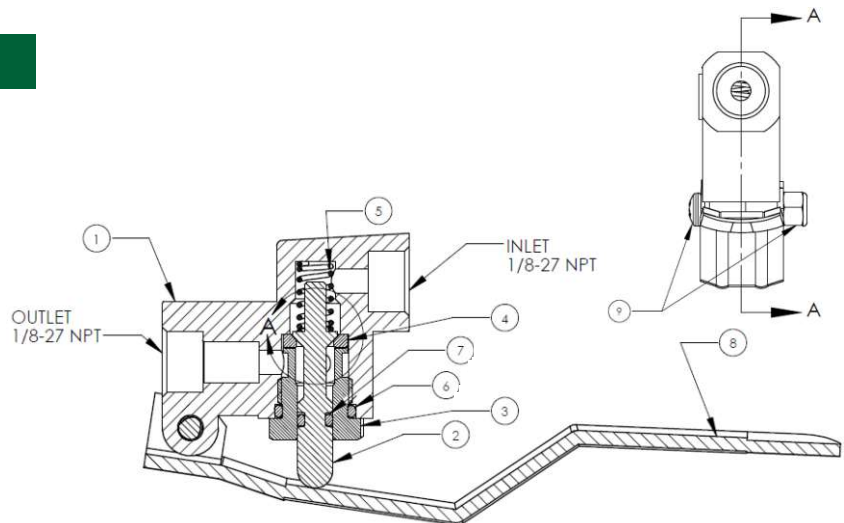
### Features

- Durable, Light-Weight, High Performance Flow Control
- Forged Body with Stainless Steel Stem
- Long Lasting High Temperature Seal
- Maximum Operating Pressure is 500 PSIG
- Best Suited for Hand Tools
- Includes Aluminum Hanger for 1-1/2" Diameter Wands

Model	Inlet Size	Outlet Size	Dimensions (Inches) Height (A)	Max. Operating Pressure (PSIG)	Min. Temp (°F)	Max. Temp (°F)
<b>167-1-1</b>	1/8" NPT	1/8" NPT	1-9/32"	500 PSIG	-40°F	300°F

### Materials

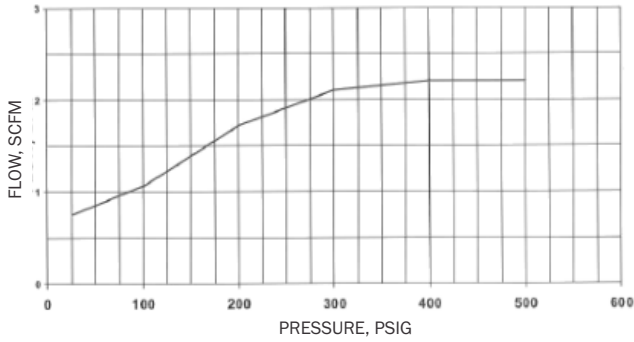
No.	Part Name	Materials
1	Body	Brass
2	Stem	Stainless Steel
3	Cap	Brass
4	Disc	Teflon (PTFE)
5	Spring	Stainless Steel
6	"O" Ring, Cap	Buna "N"
7	"O" Ring, Stem	Buna "N"
8	Lever	Stainless Steel
9	Screw & Locknut	Stainless Steel



# Kingston Model 167-1-1 Upholstery Flow Control Valve

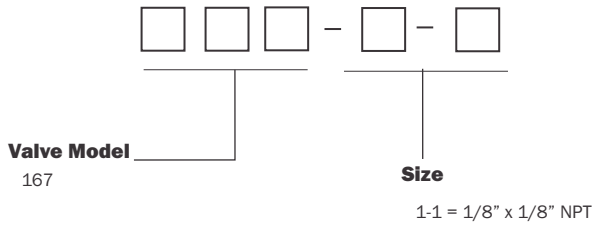
## Flow Capacity Information

Fig. 167-1-1



## Ordering Information

### Kingston Control Valves Part Number Codes



## Product Notes

Storm Manufacturing reserves all rights. Product specifications and designs are subject to change without notice.

The information contained herein by Storm Manufacturing Group (SMG) is provided in good faith and as a product guide only. Further, SMG makes no representation as to the completeness or accuracy of the information contained herein. Any person or persons using the information contained herein must exercise their own judgement and consider all local, regional, national and global safety standards in evaluating valve selection options. Final application design and integration of Kingston Products are the sole responsibility of the end user.



[www.KingstonValves.com](http://www.KingstonValves.com)  
**KINGSTON**