



KINGSTON

Manufacturing reliable industrial valves for industry since 1908.

128AT

Safety Relief Valve

Model 128AT

Low Profile Pop-Style, Toggle Relief Valve



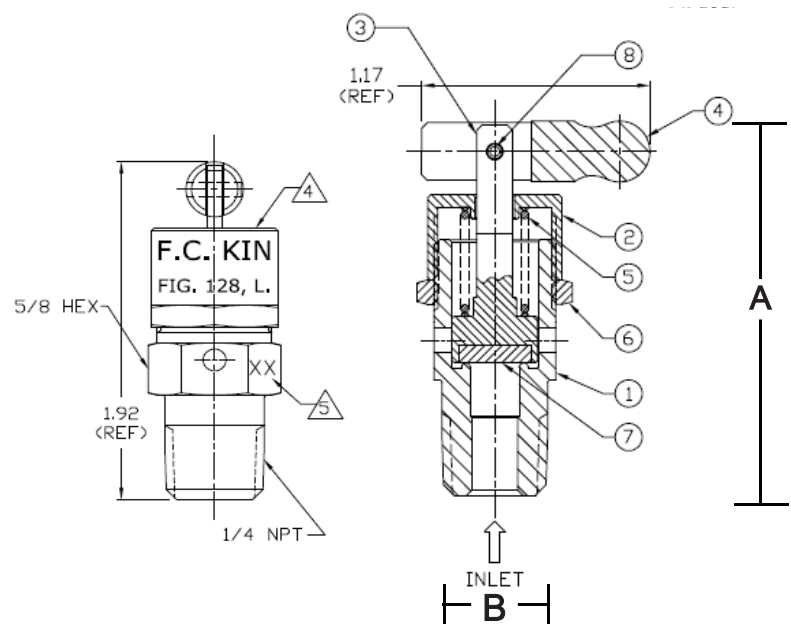
Features

- Pop-Style Safety Valve
- Precision Machined with Soft Seat
- Toggle Included for Latching Open
- Maximum Temperature is -40 °F to 225 °F
- For Use with Air
- Pull Ring Available
- Set Pressure Range 5-300 PSIG
- Tested in National Board Approved Quality Assurance Process

Model	Inlet Size	Orifice	Dimensions (Inches)		Set Pressure Range (PSIG)	Approx. Ship Wt.	Min. Temp (°F)	Max. Temp (°F)	Figure/Part No.
			Height (A)	Hex (B)					
128AT	1/4" NPT	0.235	1-7/8"	5/8"	5-300	2.2oz.	-40 °F	225 °F	128AT-2-000

Materials

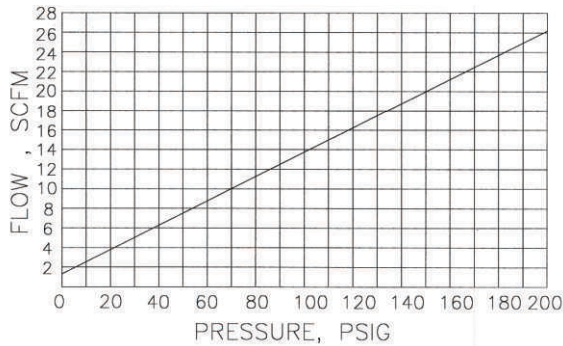
No.	Part Name	Materials
1	Body	Brass
2	Cap	Brass
3	Stem	Brass
4	Toggle	Brass
5	Spring	SST or M.W.
6	Lock Nut	Brass
7	Disc	Buna 'N' or SI or Viton
8	Roll Pin	Carbon Steel



Kingston Model 128AT Toggle Relief Safety Valve

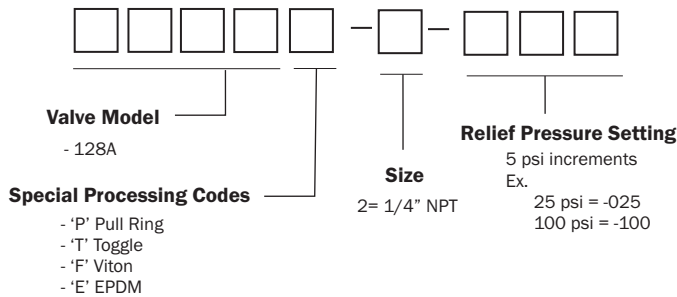
Flow Capacity Information

Fig. 128AT - 1/4"



Ordering Information

Kingston Safety Valve Part Number Codes



Product Notes

Set pressure can deviate from the marked by ± 2 psig at or below 70 psig set pressure and $\pm 3\%$ psig above 70 psig. Factory standard seat tightness for hard seat valves: no audible leakage at 10% below nameplate set. It is normal for spring-operated safety valves to exhibit leakage or simmer/warn, as the system operating pressure approaches the set pressure. For hard seat valve this typically occurs at pressures at or above 90% of nameplate set pressure.

At very low set pressures (20 psi and below), the ratio of the downward spring force as compared to the upward pressure force is very small. In these cases it may be impossible to achieve seat tightness.

Soft seat valves will typically provide a higher degree of seat tightness than metal, hard seats. Factory standard seat tightness does not ensure bubble-tight seal regardless of material. Storm Manufacturing reserves all rights. Product specifications and designs are subject to change without notice.

The information contained herein by Storm Manufacturing Group (SMG) is provided in good faith and as a product guide only. Further, SMG makes no representation as to the completeness or accuracy of the information contained herein. Any person or persons using the information contained herein must exercise their own judgement and consider all local, regional, national and global safety standards in evaluating valve selection options. Final application design and integration of Kingston Products are the sole responsibility of the end user.



www.KingstonValves.com
KINGSTON